

150A SPLIT CORE EZ CLAMP-ON CURRENT TRANSFORMER



DENT's affordable and compact 150A Split Core EZ Clamp-On Current Transformers are the fastest and most convenient way to get temporary measurements in the field. Designed for one-handed operation, they quickly clamp around insulated cables or wires. These CTs pair exceptionally well with the ELITEpro XC Portable Data Logger, making them ideal for portable Measurement & Verification (M&V) studies. Typical applications also include electrical load profiling, energy audits, and new technology assessment studies.



KEY SPECIFICATIONS

Current Rating	150A
Current Range	0.5-300A
Window Size	1.0" (25mm)
Output	333.3 mV at rated current
Ratio Error	<1% From .5- 300 A AC
Phase Error	<1° From 5-25 A AC 1° From 25-150 A AC <1.5° from 150-300 A AC

ELECTRICAL


Wire Polarity	Red = High, positive (+) Black = Low, negative (-)
Frequency Range	50 Hz to 400 Hz

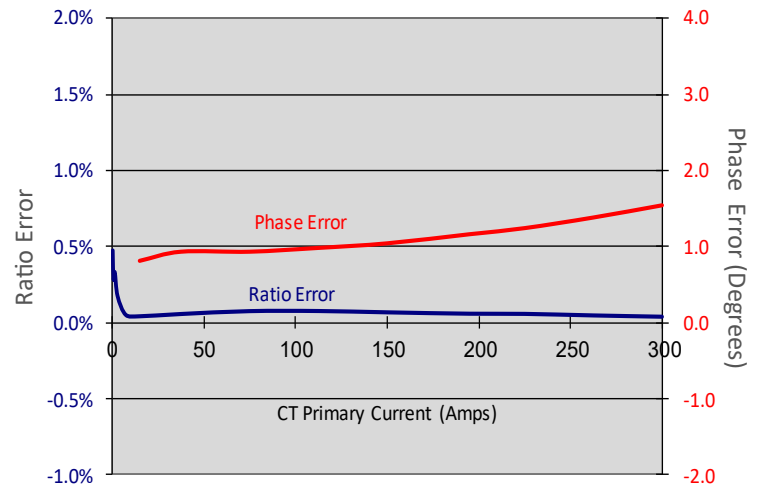
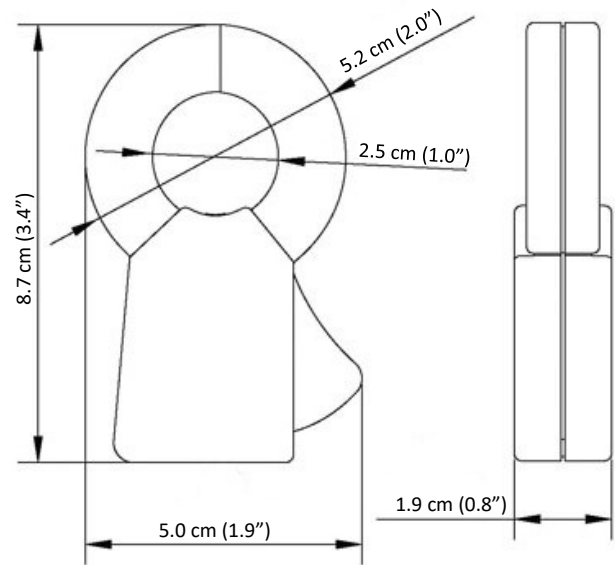
MECHANICAL

Case Material	White ABS, UL 94 V-0
Leads	2.4M (8'), twisted pair, 22 AWG
Working Temperature	-25° to 70 °C (-13° to 158 °F)

SAFETY

Working Voltage	600 VAC Category III
Dielectric Strength	5200 VAC, 50/60 Hz for one minute

Certifications  UL STD 61010-1
CAN/CSA STD C22.2 No. 61010-1



CONTACT US

DENT Instruments, Inc.
Energy & Power Measurement Solutions
An ISO 9001:2008 Certified Company

925 SW EMKAY DRIVE
BEND, OREGON 97702 USA
541.388.4774 | 800.388.0770
WWW.DENTINSTRUMENTS.COM

PART NUMBERS

150A EZ Clamp On CT

CT-CON-0150EZ-U