

5/20/50/100A REVENUE GRADE SOLID CORE TOROIDAL D-SHAPE CURRENT TRANSFORMERS



DENT's Revenue Grade Toroidal D-Shaped Current Transformers, ensure exceptionally accurate signal transformation with low phase shift, making them ideal for Revenue Grade applications. They perform reliably even in harsh environmental conditions, ensuring consistent accuracy and dependability. This series of CTs guarantees very high accuracy and reliable performance in a wide range of conditions. .

This series of CTs ensures exceptionally accurate signal transformation with low phase shift, even in harsh environmental conditions.



KEY SPECIFICATIONS

Current Rating	5A	20A	50A	100A
Current Range	0.05A-10A	0.2-40A	0.35-100A	1.0-120A
Window Size	0.5" (12.8mm)			
Output	333.3 mV at rated current			
Ratio Error	+/-0.2% at rated current (typical)			
Phase Error	<0.2°			
Accuracy Class¹	IEC 61869-2 Class 0.2 IEC 60044-1 Class 0.2 IEEE C57.13 Class 0.3			

ELECTRICAL

Wire Polarity	White = Hi, positive (+) Black = Low, negative (-)
Frequency Range	50 to 400 Hz

MECHANICAL

Case Material	PBT resin, UL 94V-0, epoxy encapsulated
Leads	2.4 M (8'), twisted pair, 24 AWG, 600V rated
Operating Temperature	-25°C to 85°C (-13°F to 185°F)

SAFETY

Working Voltage	600 VAC, Category III
Dielectric Strength	5400 VAC
Certification	UL STD 61010-1 CAN/CSA STD C22.2 No. 61010-1

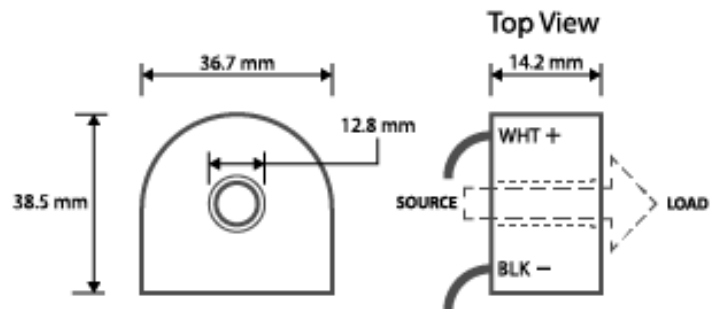


CONTACT US

DENT Instruments, Inc.
Energy & Power Measurement Solutions
An ISO 9001:2008 Certified Company

925 SW EMKAY DRIVE
BEND, OREGON 97702 USA
541.388.4774 | 800.388.0770
WWW.DENTINSTRUMENTS.COM

OUTLINE DRAWING



PART NUMBERS

5A Revenue Grade Solid Core Toroidal D-Shape CT	CT-RGT12-0005-U
20A Revenue Grade Solid Core Toroidal D-Shape CT	CT-RGT12-0020-U
50A Revenue Grade Solid Core Toroidal D-Shape CT	CT-RGT12-0050-U
100A Revenue Grade Solid Core Toroidal D-Shape CT	CT-RGT12-0100-U

¹ When CT phase shift is set as follows: 5A = 0.05°, 20A = 0.0°, 50A = 0.01°, 100A = 0.0°