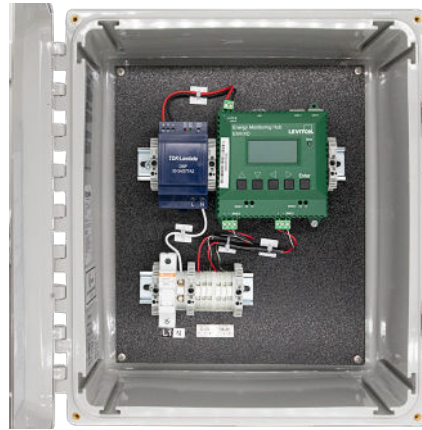


EMHXD Data Acquisition Server



EMHXD



EMHXD-N4X

Description

Leviton's EMHXD is an intelligent, flexible data acquisition server, allowing users to collect energy data from meters and environmental sensors through Modbus or BACnet protocols. Designed to connect to IP-based applications such as code compliance, enterprise energy management, demand response and smart grid programs, the EMH lets you connect thousands of energy points, benchmark energy usage and reduce energy costs. Featuring Dual Ethernet ports and Dual Modbus (RS485) ports, the EMHXD provides expanded capacity and flexibility to address a broad range of applications. The EMHXD-N4X comes integrated into a NEMA 4X enclosure with an integrated power supply to simplify installation in the field.

Embedded OEM Solution

The compact EMHXD footprint and industrial temperature range -22°F to 158°F (-30° to 70°C) makes this a perfect solution for embedded applications. Reduce development time and speed up integration by collecting and distributing energy information directly from your equipment.

Data Collection

The EMH collects and logs data from connected devices based on user selected intervals. Data from downstream devices is time stamped and stored locally in non-volatile memory until the next scheduled upload or manual download. Using an Ethernet (LAN) connection you can push or pull data via HTTPS, XML, FTP or any custom protocol utilizing our EMH Module to build your own application. Dual Ethernet ports allow for separate and secure upstream connections to external networks and downstream connections to the internal device networks.

Compatibility

The EMH is compatible with nearly any front-end software platform allowing customers to use a variety of reporting tools; whether it's a local server or an enterprise wide reporting suite.

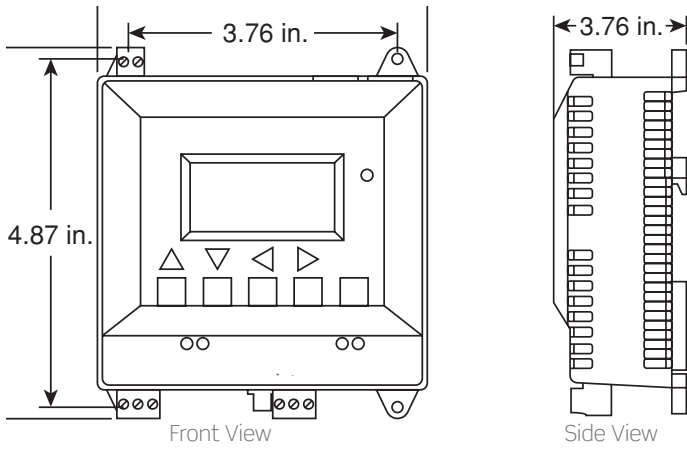
Installation & Features

No software is required. Easily access information through your web browser. There are several additional features including alarming, SNMP traps, network configuration, wireless diagnostics, USB, security provisions and backlit LCD. Our integrated meter driver library is designed to speed up installation and lower integration costs through plug-and-play connectivity.

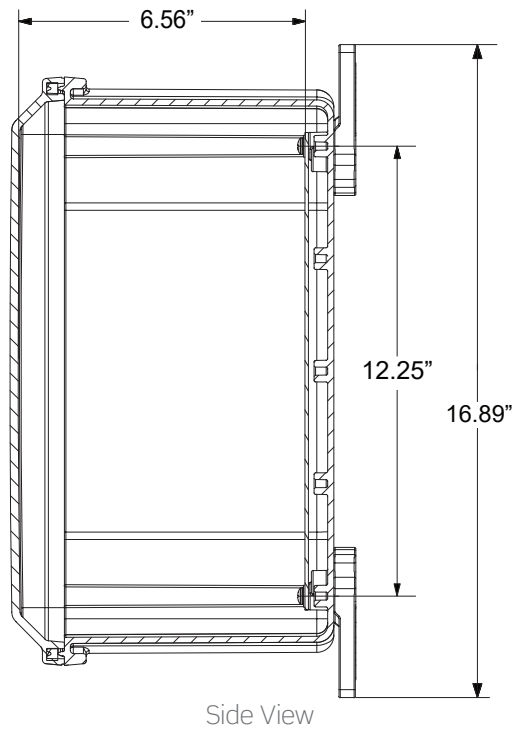
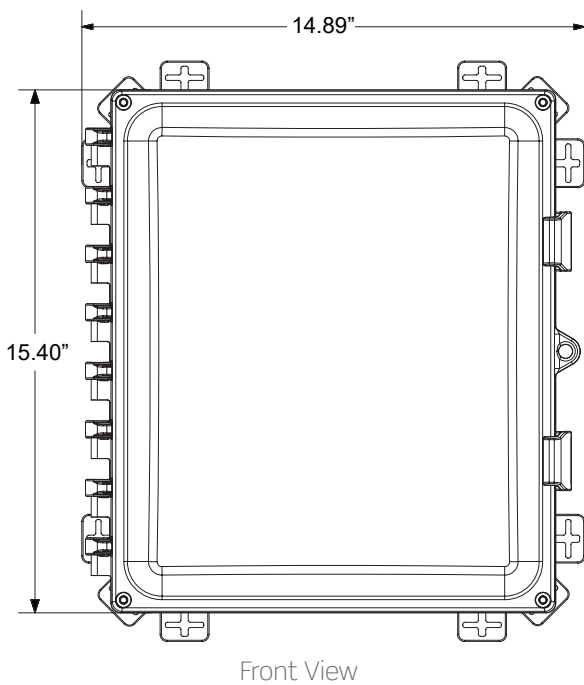
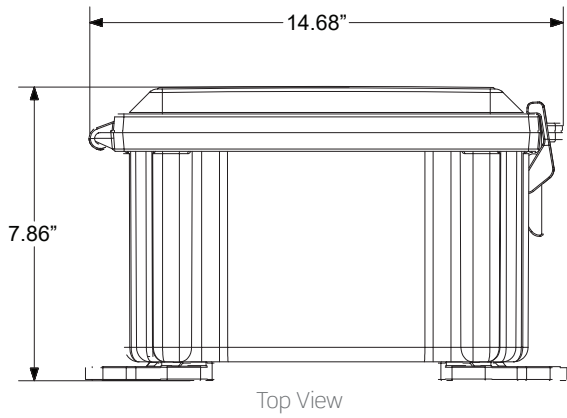
Applications

- Code compliance reporting
- Measurement and verification (M&V)
- Tenant billing
- Reduce energy costs
- Access energy information from local or remote sites
- Benchmark building energy usage
- View "real time" performance data
- Track energy use and peak demand for Demand Response programs
- Monitor performance of critical systems (lighting, HVAC, PDUs, inverters, etc.)
- Alarm notification for data points above or below target levels (including SNMP Traps)
- Monitor renewable energy performance and production
- Push or pull meter data to energy dashboards, kiosks and software applications
- EMHXD available in NEMA UL508A panels
- EMHXD available with cellular modems in NEMA UL508A panels
- Manufactured in U.S,A
- Supports code compliance applications like ASHRAE, IECC, 2022 CA Title 24, and LEED

Dimensions - EMHXD-220



Dimensions - EMHXD-N4X



Specifications

	EMHXD-220	EMHXD-N4X
Processor	i.MX 6UltraLite	
Operating System	Linux 4.x	
Memory	512 MB RAM	
Flash ROM	8 GB eMMC Flash	
Interval Recording	1 to 60 minutes, user selectable (default 15 minutes)	
LEDs	Ethernet, Modbus TX/RX, power, alarm	
Console	128 x 64 pixel LCD with 5 button interface	
Power		
Power Supply*	24VDC, 500mA *This unit is to be sourced by a Class 2 power supply with the following output: 24VDC, 500mA min not to exceed 8A	100-277VAC 50/60Hz, 1.5A Max, Class II, double insulated
Isolation	RJ45 Ethernet and RS-485 port are isolated to 1500VDC from the main board (Power and USB non-isolated)	RJ45 Ethernet is isolated to 1500VDC from the main board (Power and USB non-isolated)
Communication		
Protocols	Modbus/RTU, BACnet/MSTP, Modbus/TCP, BACnet/IP, TCP/IP, PPP, HTTP/HTML, FTP, NTP, XML, SNMP trap	
LAN	2 RJ45 10/100 Ethernet, full duplex, auto polarity	
USB	USB expansion port	
Security	SSL/TLS	
Inputs		
Serial Ports	2 RS-485 Modbus, each supporting up to 32 external devices (64 devices total)	
Physical		
Weight	0.42lbs (0.19kg)	
Size	4.61" W x 5.19" H x 1.9" D (117.1mm x 131.9mm x 48.3mm)	12" W x 14" H x 6" D (304.8mm x 355.6mm x 152.4mm)
Environment		
North America	-22°F to 158°F (-30°C to 70°C), 95% RH, non-condensing	
Altitude	2000M max	
Pollution	Degree 2	
Codes & Standards		
FCC CFR 47 Part 15, Class A, EN 61000, EN 61326, CE, UL61010 Recognized		

Ordering Information

EMHxx	
Cat. No.	Description
EMHxD-220	Energy Monitoring HUB, 2 Ethernet, 2 Modbus (RS485)
EMHxD-N4X	Energy Monitoring HUB with line voltage power supply, NEMA 4X enclosure
YBM07-001	Power Supply, required for use with EMHxD-220

Leviton Manufacturing Co., Inc. Lighting & Controls

10385 SW Avery Street., Tualatin, OR 97062 **tel** 800-736-6682 **tech line** (6:00AM-4:00PM PT Mon-Fri) 800-959-6004

Leviton Manufacturing Co., Inc. Global Headquarters

201 North Service Road, Melville, NY 11747-3138 **tel** 800-323-8920 **tech line** (8:00AM-10:00PM ET Mon-Fri, 9:00AM-7:00PM ET Sat, 9:00AM-5:00PM ET Sun) 800-824-3005

Visit our Website at: www.leviton.com/verifeye

©2024 Leviton Manufacturing Co., Inc. All rights reserved. Subject to change without notice.